

LED-8027M 100W LED for HID Retrofit for Post Top / Area



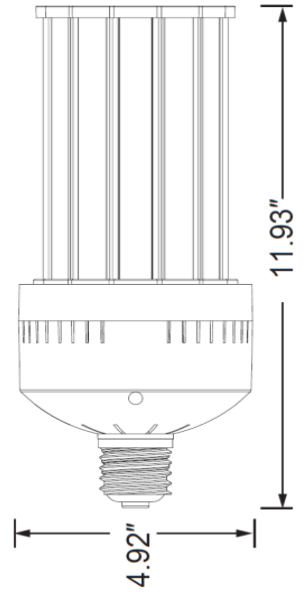
Models

LED-8027MXX, 120-277VAC, cULus, 3000K, 4200K or 5700K CCT, E39

LED-8027MXXC, 347VAC, cUL, 3000K, 4200K or 5700K CCT, E39

Features

- > 100W LED Replaces 400W MH or HPS HID Lamps
- > UL approved for damp environments and enclosed fixtures
- > Advanced active cooling: Active cooling and dynamic temperature control
- > 50,000 hour rated LED life (supported by LM80 and ISTMT reports (see website))
- > 5 Year Limited Warranty - see website for details
- > UL1598C retains fixture UL Listing
- > Rated for enclosed fixture



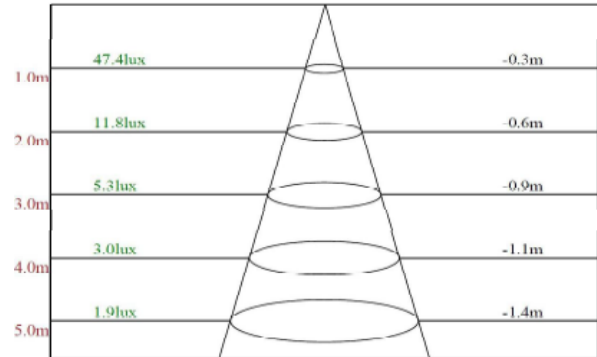
Technical Specifications

Models US/CAN	LED-8027M30	LED-8027M40	LED-8027M57	LED-8027M30C	LED-8027M40C	LED-8027M57C
CCT	3000K	4200K	5700K	3000K	4200K	5700K
Power Consumption	100 watts					
Replaces	400 MH/HPS					
Mounting	E39					
Voltage	120-277VAC (USA & CAN) 347V (Canada)					
LED Type	300 Samsung #5630 SMD					
Beam Angle	360°					
Dimmable	No					
Operating Temp	-40°F - +122°F					
Rated R70 Life	Up to 50,000 Hrs.					
Warranty	5 Year Limited*					

DLC	MODEL	DLC CODE
DLC 0 LISTED	LED-8027M30	PPRF64FC
	LED-8027M42	PQWAR2Z4
	LED-8027M57	PRZQ63J

Approved Categories:
Replacement Lamps for Outdoor Pole/Arm-mounted Decorative Luminaires (Type B)

Lux Distance Curve



Installation Notes:

- Ballast must be bypassed
- Installing surge/lightning protectors is highly recommended

LED Power Consumption (Watts)	HID Power Consumption (Watts)	HID Ballast Power Consumption (Watts)	Total Savings (Watts)	Annual Energy Savings (14 hrs/day)	Lifetime Energy Savings (over 50,000 hrs)
100	400	60	360	\$202	\$1,980

LM79 Specifications	Yes	Yes	Yes	Yes	Yes	Yes
Power (W)	100.1	96.3	95.7	100.1	96.3	95.7
CCT	3273	4324	5716	3273	4324	5716
Light Output	11499	11612	12209	11499	11612	12209
Efficacy	114	114	117	114	114	117
THD @ 277V	19.47%	18.85%	18.03%	19.47%	18.85%	18.03%
PF @ 277V	0.94	0.94	0.94	0.94	0.94	0.94
CRI:	82.3	84	86	82.3	84	86
R9	8	17	37	8	17	37
Duv	-0.00118	-0.0006	-0.0035	-0.00118	-0.0006	-0.0035
Packaging	4/ Master Carton					
Unit	7.3" x 7.3" x 13.78" 3.3 lbs.					
Master	15.4" x 15.4" x 14.4" 14.6 lbs.					

Mounting Orientation			Minimum Fixture Size Requirements (inches)	
Base Up	Base Down	Horiz	Length	Width
			14	6.92
Approved	Approved	Approved	Height	6.92
			Cu. Inches	670.4



188 S. Northwest Highway • Cary, IL 60013
(847) 380-3540 • FAX: (847) 380-3542
www.led-llc.com

